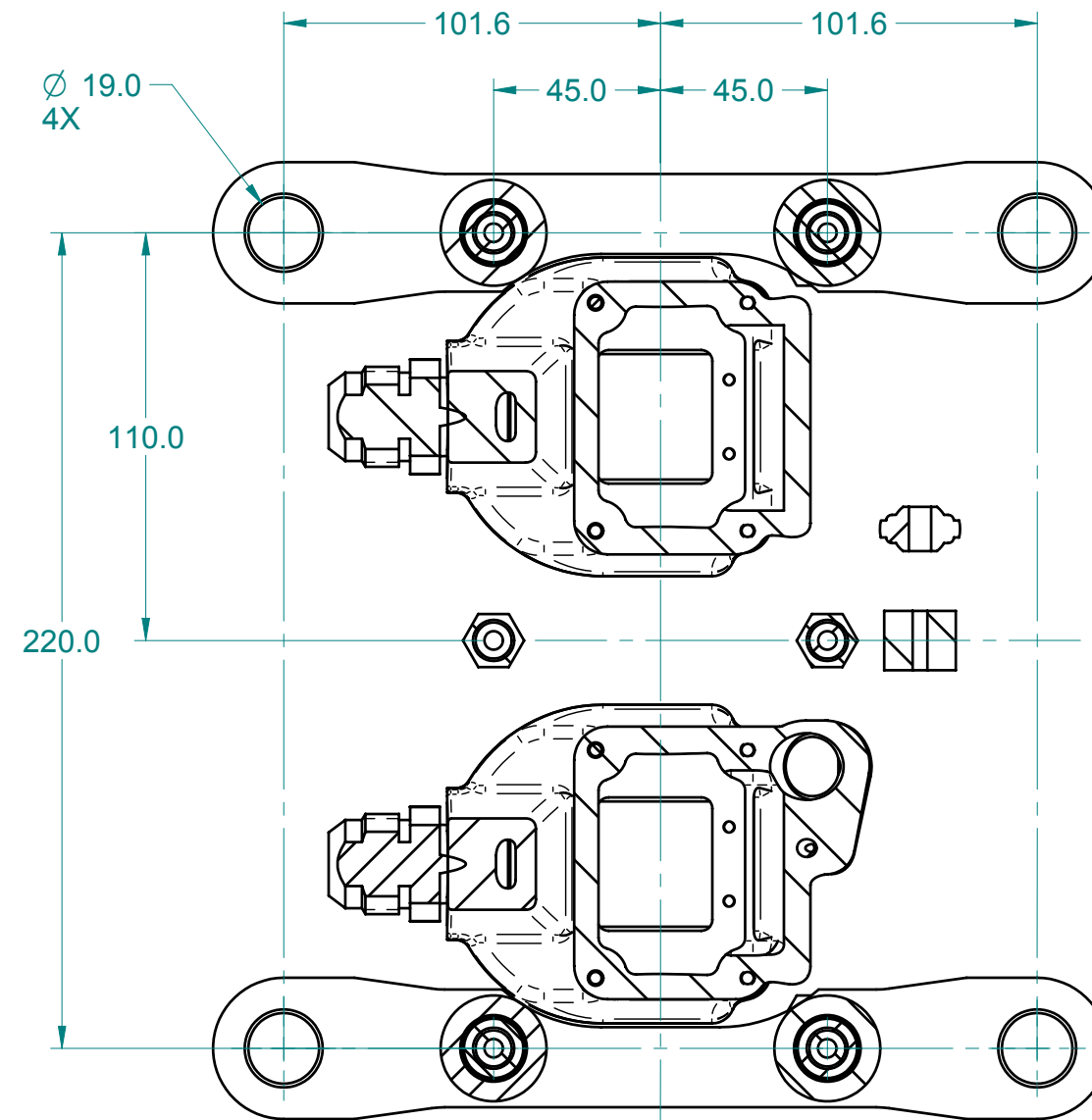
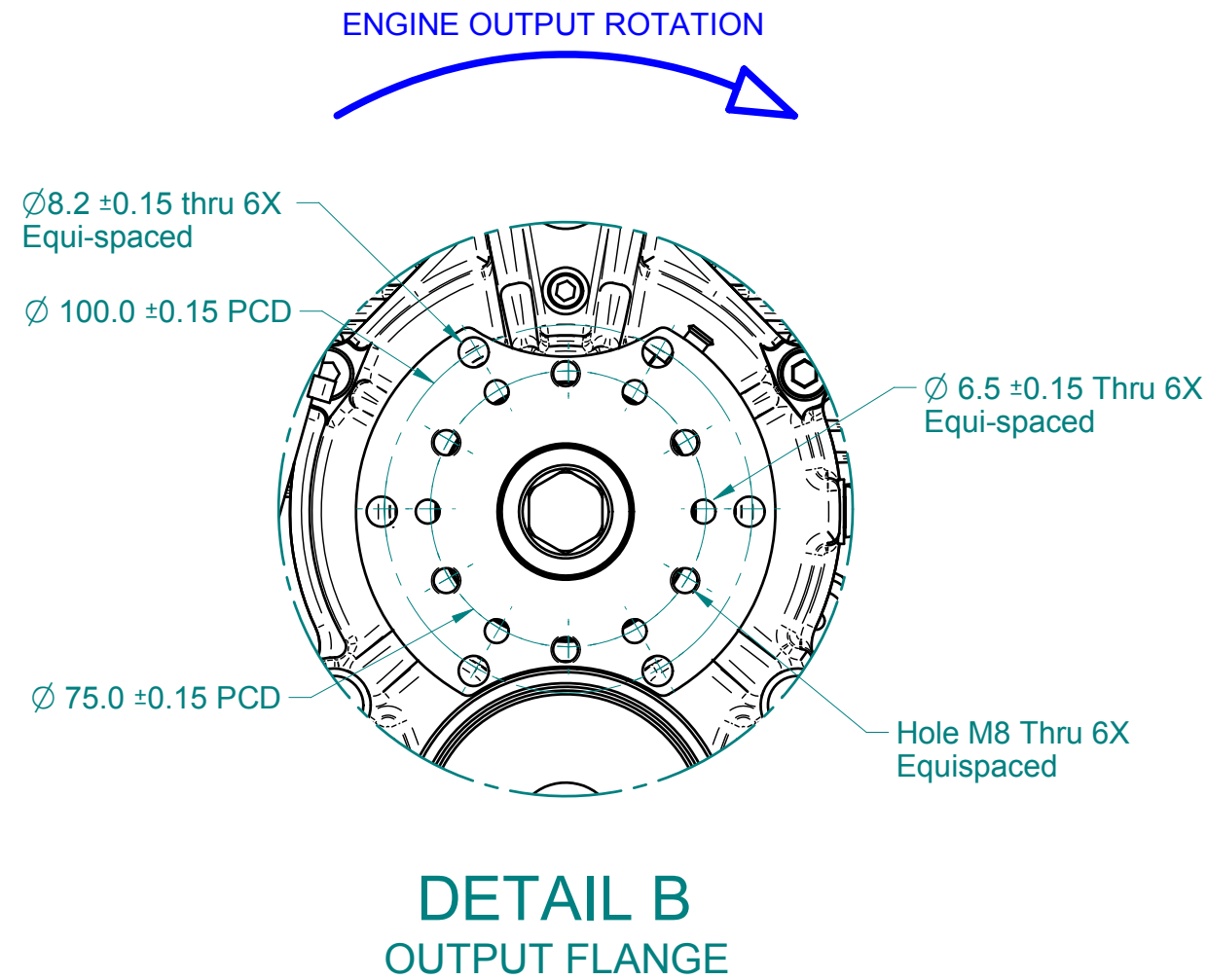


REVISION HISTORY			
REV.	DESCRIPTION	DATE	APPROVED
06	REFER TO REVISION CONTROL SHEET	26 FEB 08	WLW

<p>PROPRIETARY AND CONFIDENTIAL THE INFORMATION CONTAINED IN THIS DRAWING IS THE SOLE PROPERTY OF AEROTWIN MOTORS CORPORATION. ANY REPRODUCTION IN PART OR AS A WHOLE WITHOUT THE EXPRESS PERMISSION OF AEROTWIN MOTORS CORPORATION IS PROHIBITED.</p>			<p>UNLESS OTHERWISE SPECIFIED: INTERPRET GEOMETRIC TOLERANCING TO ANSI Y 14.5 1994</p> <p>DIMENSIONS ARE IN mm GENERAL TOLERANCES: 1 DEC. PLACE = ±0.5 2 DEC. PLACES = ±0.25 3 DEC. PLACES = ±0.10 ANGULAR = ±0.3°</p> <p>BREAK EDGES 0.3 CORNER RADII 0.3 MACHINE FINISH 125µm/3.2µm Ra</p> <p>DO NOT SCALE DRAWING</p>	NAME	DATE	DRAWING NO. 801	
				DRAWN	DCB		2/26/2008
	NEXT ASSY.	USED ON		CHECKED	WLW	2/26/2008	801, AeroTwin AP Interface Dimensions
	APPLICATION			ENG. APPR.			
					MFG. APPR.		
				QA			REV. 06
				COMMENTS:			SCALE: A3
							MATERIAL: REF: PART AND ASSEMBLY DRAWINGS
							CONDITION:
							WEIGHT:
							SHEET 1 OF 4

REVISION HISTORY			
REV.	DESCRIPTION	DATE	APPROVED
06	REFER TO REVISION CONTROL SHEET	26 FEB 08	WLW

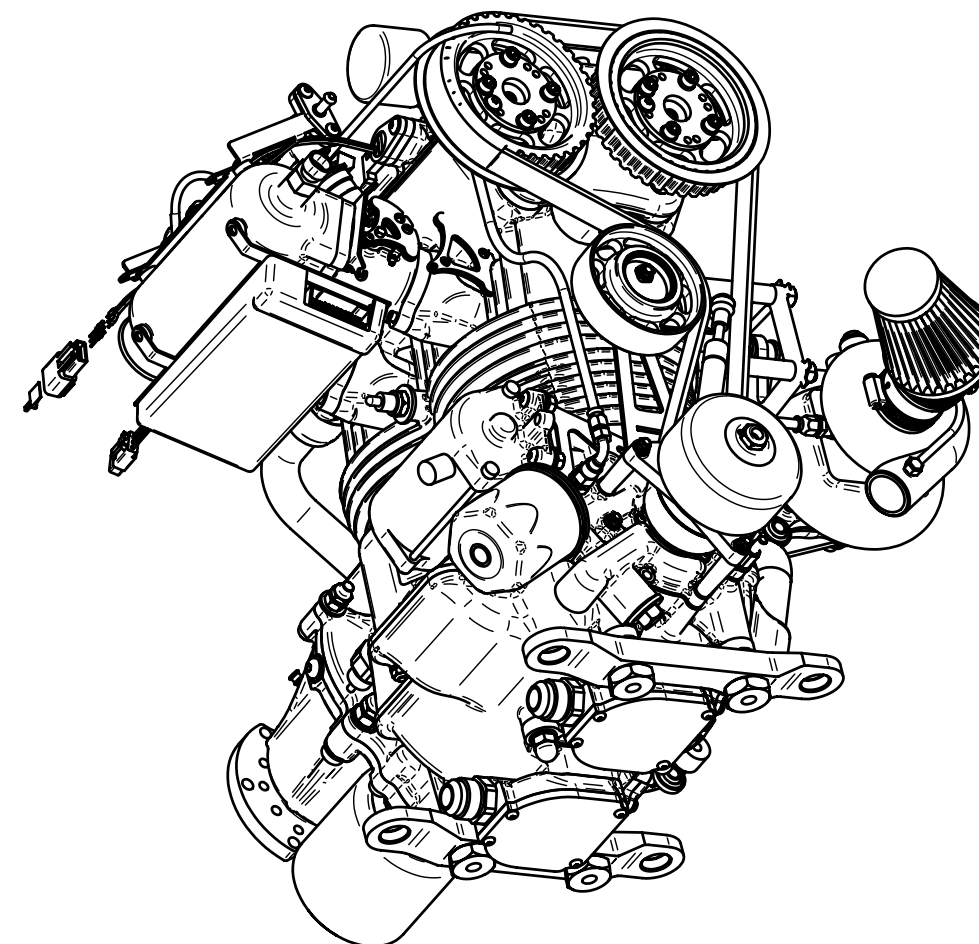
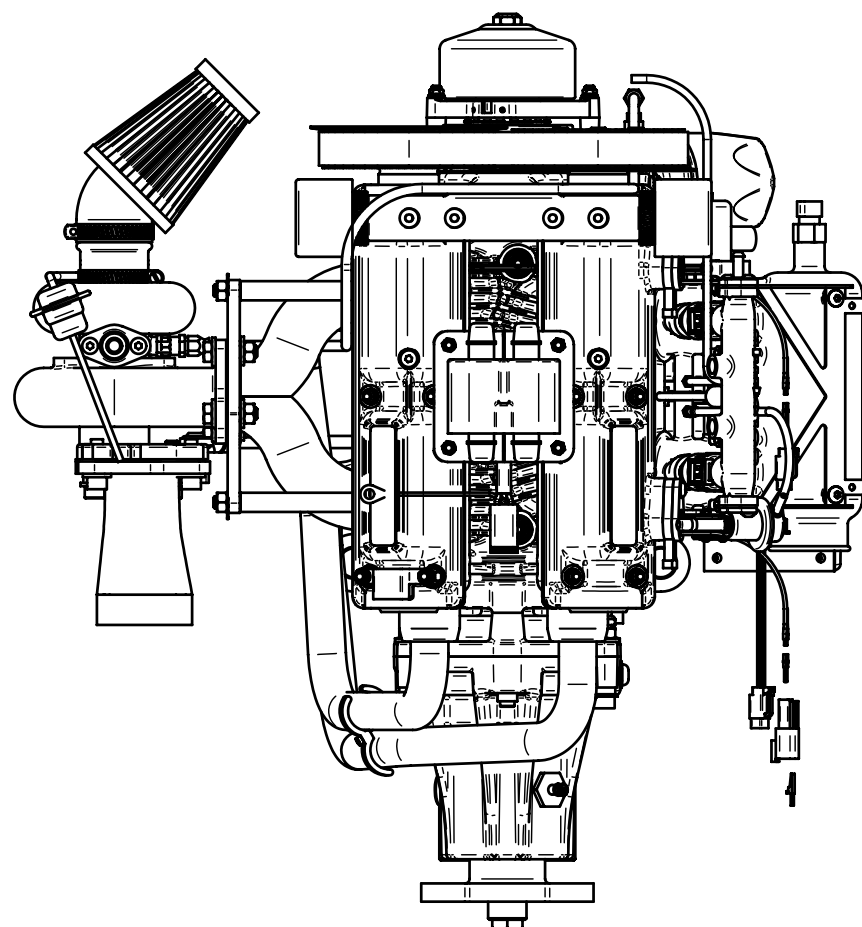
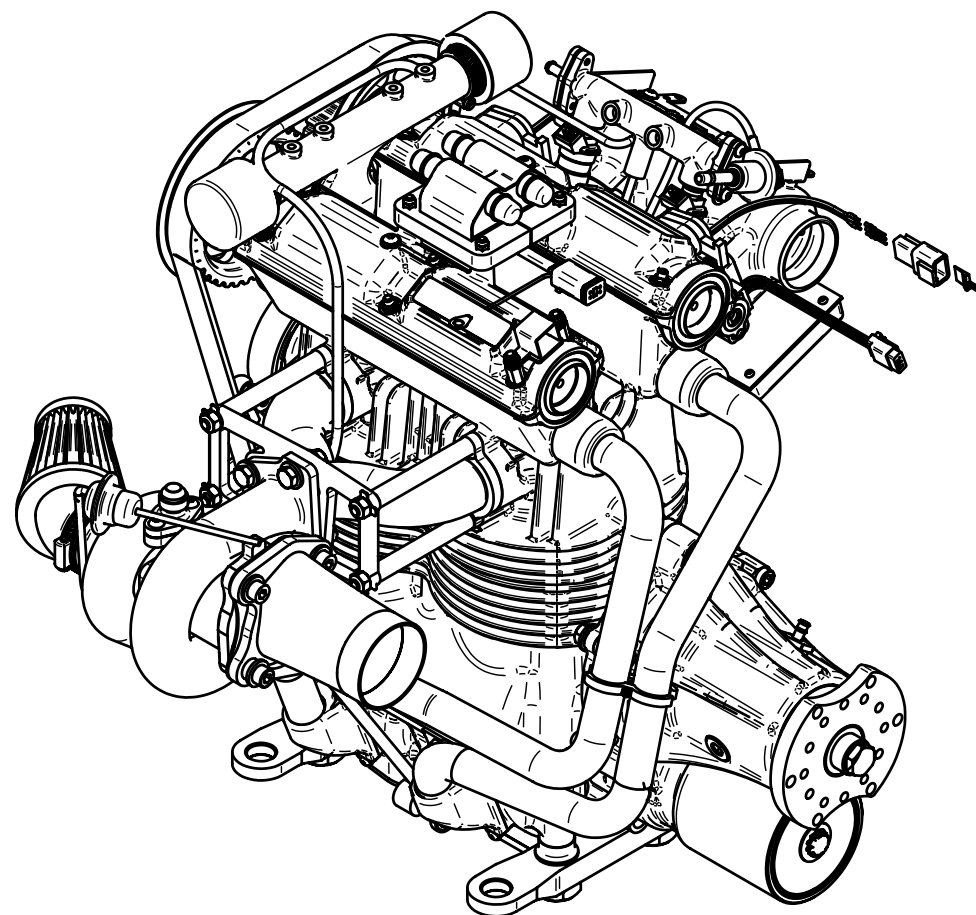


**SECTION E-E**  
**ENGINE MOUNT FOOT PRINT**

<small>PROPRIETARY AND CONFIDENTIAL</small> <small>THE INFORMATION CONTAINED IN THIS DRAWING IS THE SOLE PROPERTY OF AEROTWIN MOTORS CORPORATION. ANY REPRODUCTION IN PART OR AS A WHOLE WITHOUT THE EXPRESS PERMISSION OF AEROTWIN MOTORS CORPORATION IS PROHIBITED.</small>			<small>UNLESS OTHERWISE SPECIFIED:</small> <small>INTERPRET GEOMETRIC TOLERANCING TO ANSI Y 14.5 1994</small>  <small>DIMENSIONS ARE IN mm</small> <small>GENERAL TOLERANCES:</small> <small>1 DEC. PLACE = ±0.5</small> <small>2 DEC. PLACES = ±0.25</small> <small>3 DEC. PLACES = ±0.10</small> <small>ANGULAR = ±0.3°</small>  <small>BREAK EDGES 0.3</small> <small>CORNER RADII 0.3</small> <small>MACHINE FINISH 125µm/3.2µm Ra</small>  <small>DO NOT SCALE DRAWING</small>	<small>NAME</small> DCB <small>DATE</small> 2/26/2008	<small>DRAWING NO. 801</small>  <small>TITLE:</small> 801, AeroTwin AP Interface Dimensions
	<small>APPLICATION</small> NEXT ASSY.      USED ON	<small>DRAWN</small> DCB <small>CHECKED</small> WLW <small>ENG. APPR.</small>  <small>MFG. APPR.</small>  <small>QA</small>  <small>COMMENTS:</small>		<small>SIZE</small> A3 <small>MATERIAL: REF: PART AND ASSEMBLY DRAWINGS</small> <small>CONDITION:</small> <small>SCALE:</small> <small>WEIGHT:</small> <small>SHEET 2 OF 4</small>	

REVISION HISTORY

REV.	DESCRIPTION	DATE	APPROVED
06	REFER TO REVISION CONTROL SHEET	26 FEB 08	WLW



PICTORIAL VIEWS  
1:5

PROPRIETARY AND CONFIDENTIAL  
THE INFORMATION CONTAINED IN THIS DRAWING IS  
THE SOLE PROPERTY OF AEROTWIN MOTORS  
CORPORATION. ANY REPRODUCTION IN PART OR AS  
A WHOLE WITHOUT THE EXPRESS PERMISSION OF  
AEROTWIN MOTORS CORPORATION IS PROHIBITED.



NEXT ASSY. USED ON APPLICATION

UNLESS OTHERWISE SPECIFIED:  
INTERPRET GEOMETRIC  
TOLERANCING TO ANSI Y 14.5 1994

DIMENSIONS ARE IN mm  
GENERAL TOLERANCES:  
1 DEC. PLACE = ±0.5  
2 DEC. PLACES = ±0.25  
3 DEC. PLACES = ±0.10  
ANGULAR = ±0.3°

BREAK EDGES 0.3  
CORNER RADII 0.3  
MACHINE FINISH 125µm/3.2µm Ra  
DO NOT SCALE DRAWING

	NAME	DATE
DRAWN	DCB	2/26/2008
CHECKED	WLW	2/26/2008
ENG. APPR.		
MFG. APPR.		
QA		

COMMENTS:

DRAWING NO. 801	
TITLE: 801, AeroTwin AP Interface Dimensions	
SIZE A3	MATERIAL: REF: PART AND ASSEMBLY DRAWINGS CONDITION:
SCALE:	WEIGHT: SHEET 3 OF 4
REV. 06	

