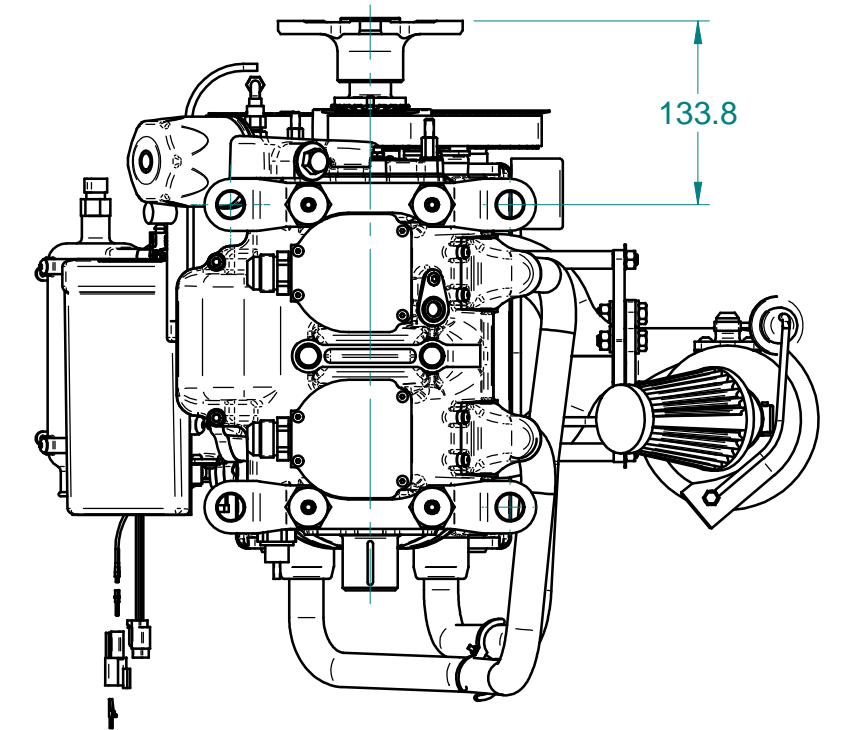
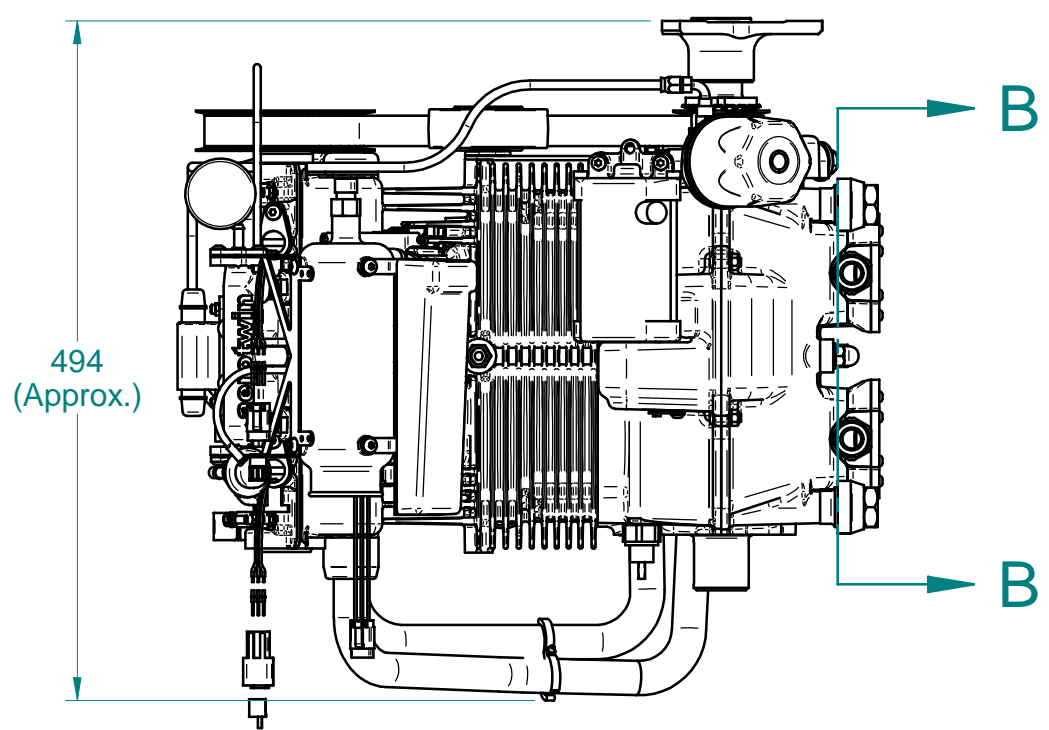
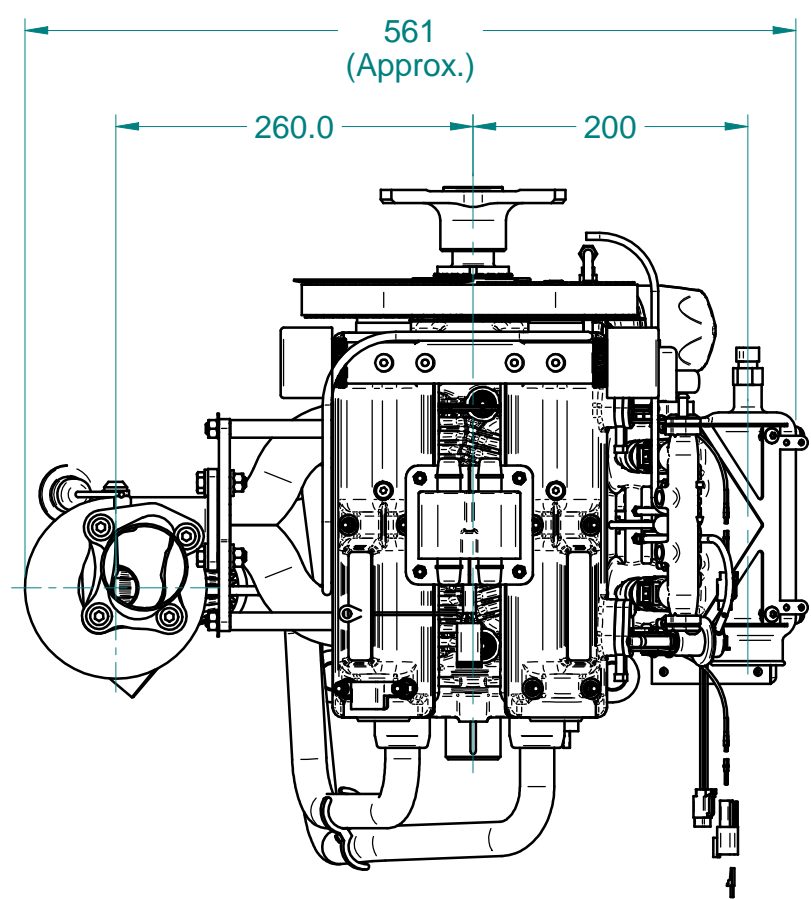
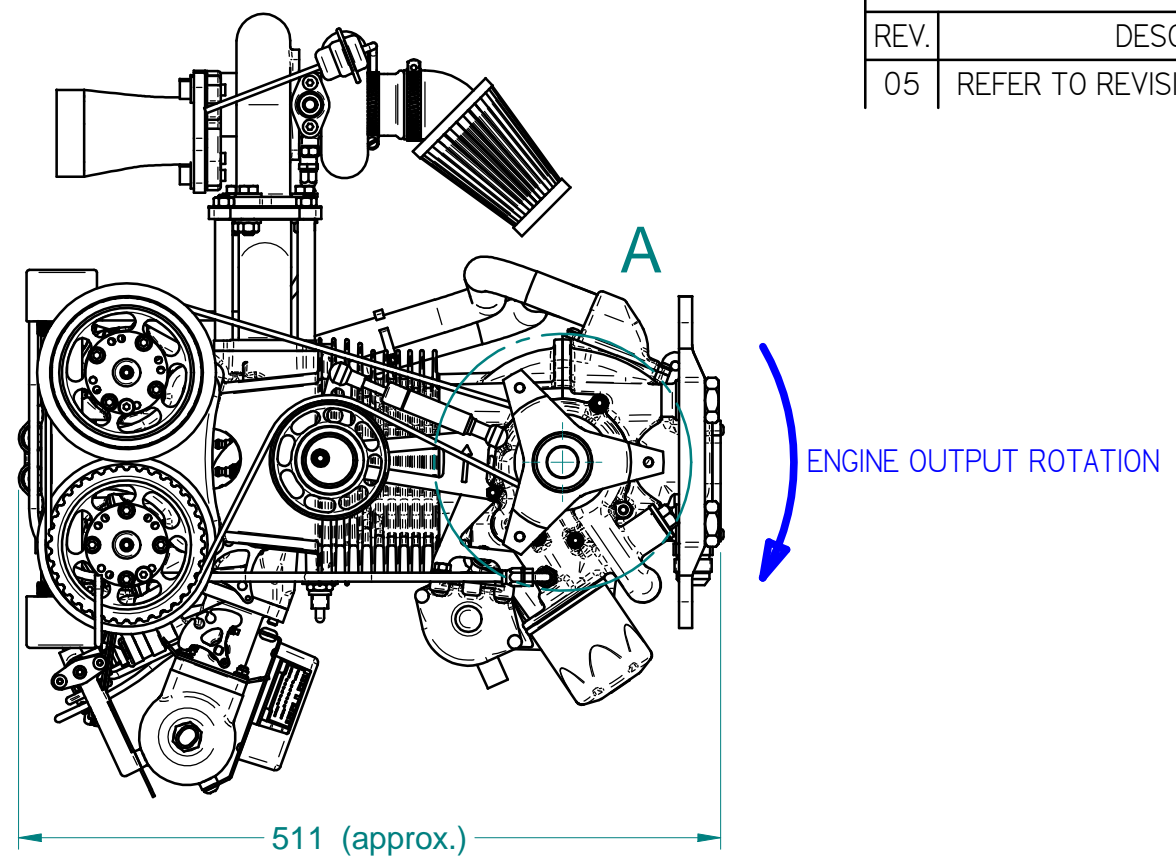



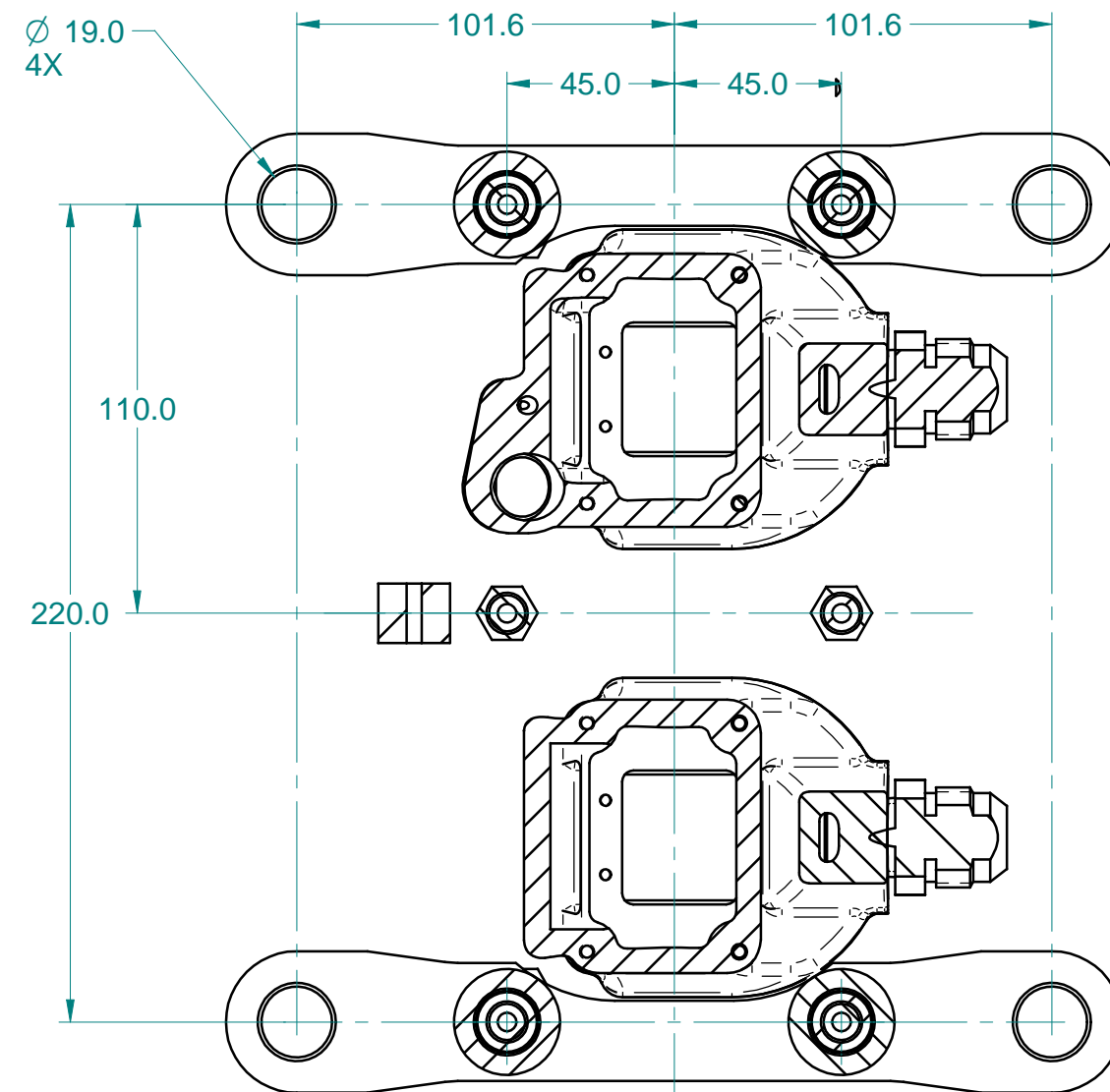
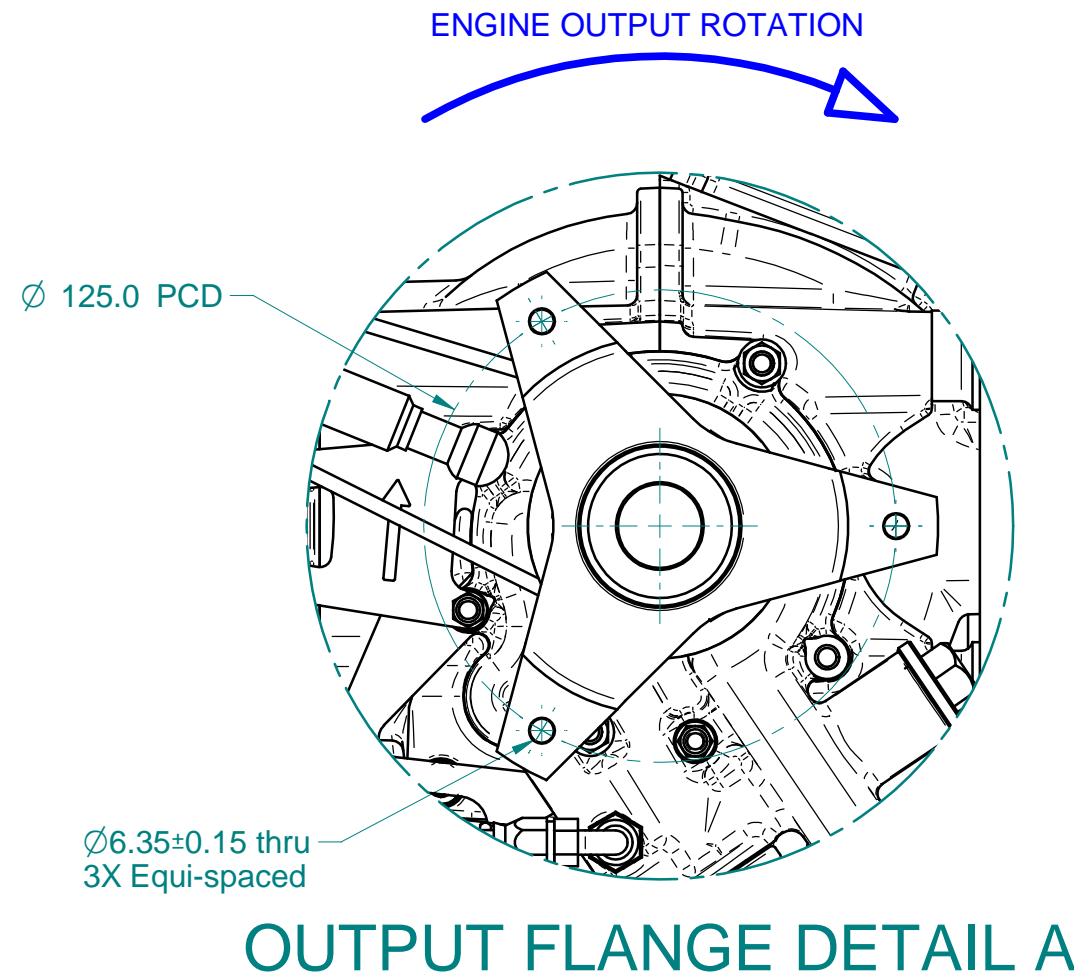
REVISION HISTORY			
REV.	DESCRIPTION	DATE	APPROVED
05	REFER TO REVISION CONTROL SHEET	29 FEB 08	WLW




1:5.5

PROPRIETARY AND CONFIDENTIAL THE INFORMATION CONTAINED IN THIS DRAWING IS THE SOLE PROPERTY OF AEROTWIN MOTORS CORPORATION. ANY REPRODUCTION IN PART OR AS A WHOLE WITHOUT THE EXPRESS PERMISSION OF AEROTWIN MOTORS CORPORATION IS PROHIBITED.			UNLESS OTHERWISE SPECIFIED: INTERPRET GEOMETRIC TOLERANCING TO ANSI Y 14.5 1994 DIMENSIONS ARE IN mm GENERAL TOLERANCES: 1 DEC. PLACE = ±0.5 2 DEC. PLACES = ±0.25 3 DEC. PLACES = ±0.10 ANGULAR = ±0.3° BREAK EDGES 0.3 CORNER RADII 0.3 MACHINE FINISH 125µm/3.2µm Ra DO NOT SCALE DRAWING	NAME	DATE	DRAWING NO. 800		
				DCB	29/02/2008		TITLE:	
	NEXT ASSY.	USED ON				800, AeroTwin Heli Interface Dimensions SIZE A3 MATERIAL: REF: PART AND ASSEMBLY DRAWINGS CONDITION:	REV.	
	APPLICATION						05	
					COMMENTS:		SCALE:	WEIGHT:

REVISION HISTORY			
REV.	DESCRIPTION	DATE	APPROVED
05	REFER TO REVISION CONTROL SHEET	29 FEB 08	WLW

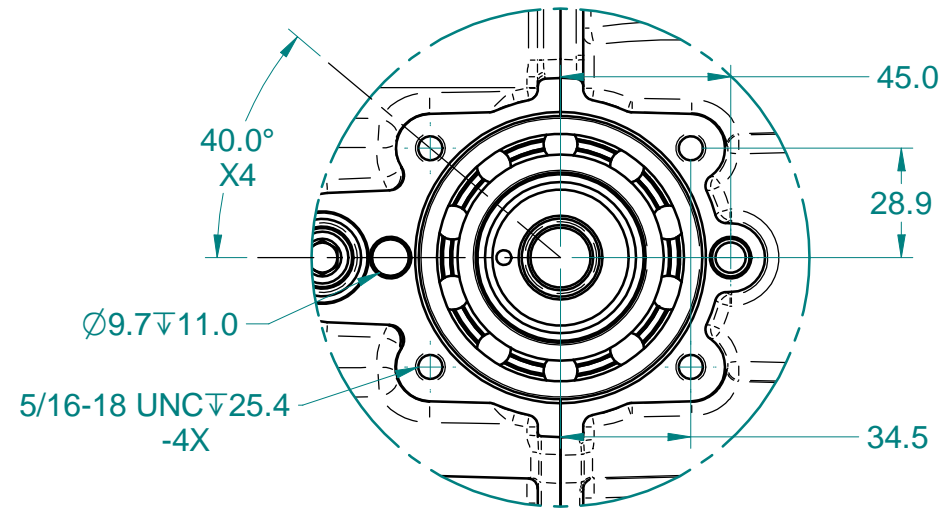


PROPRIETARY AND CONFIDENTIAL THE INFORMATION CONTAINED IN THIS DRAWING IS THE SOLE PROPERTY OF AEROTWIN MOTORS CORPORATION. ANY REPRODUCTION IN PART OR AS A WHOLE WITHOUT THE EXPRESS PERMISSION OF AEROTWIN MOTORS CORPORATION IS PROHIBITED.			UNLESS OTHERWISE SPECIFIED: INTERPRET GEOMETRIC TOLERANCING TO ANSI Y 14.5 1994 DIMENSIONS ARE IN mm GENERAL TOLERANCES: 1 DEC. PLACE = ±0.5 2 DEC. PLACES = ±0.25 3 DEC. PLACES = ±0.10 ANGULAR = ±0.3° BREAK EDGES 0.3 CORNER RADII 0.3 MACHINE FINISH 125µin/3.2µm Ra DO NOT SCALE DRAWING	NAME	DATE	DRAWING NO. 800
				DRAWN	DCB	
	NEXT ASSY.	USED ON		CHECKED	WLW	29/02/2008
	APPLICATION			ENG. APPR.		
				MFG. APPR.		
				Q.A.		
				COMMENTS:		
				SIZE	MATERIAL: REF: PART AND ASSEMBLY DRAWINGS	REV.
				A3	CONDITION:	05
				SCALE:	WEIGHT:	SHEET 2 OF 5

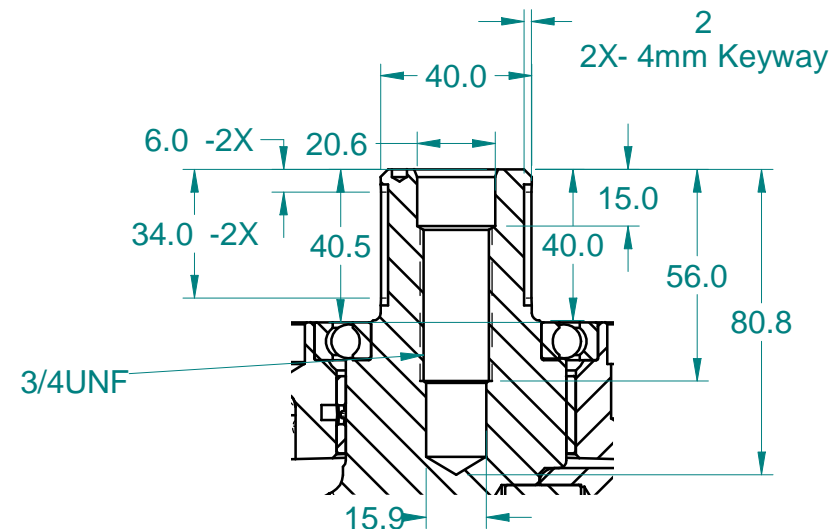
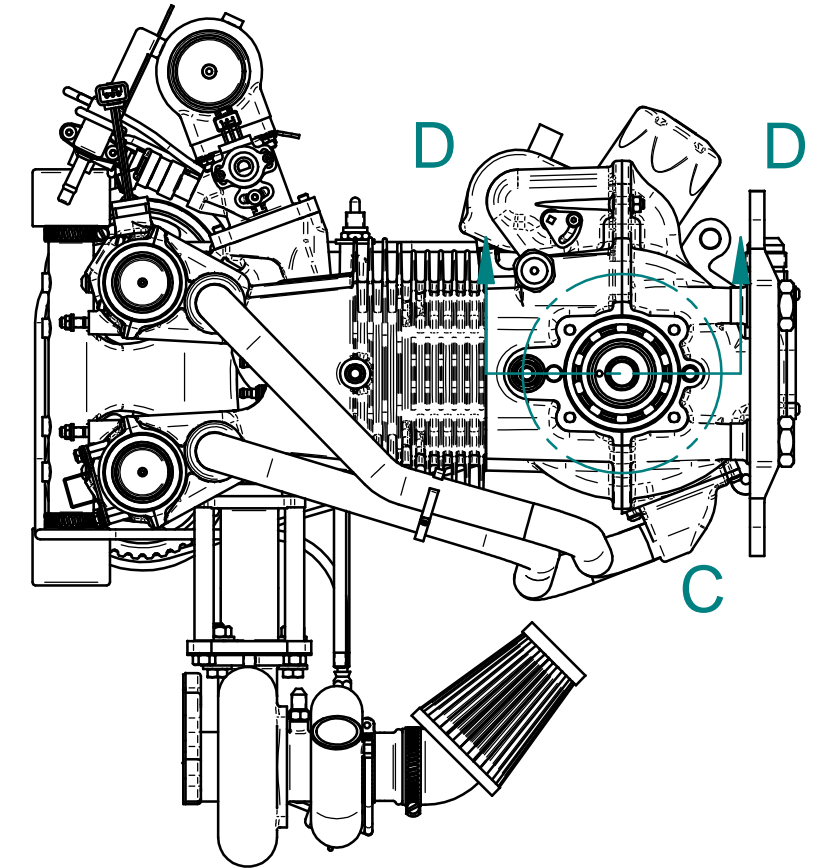
REVISION HISTORY

REV.	DESCRIPTION	DATE	APPROVED
05	REFER TO REVISION CONTROL SHEET	29 FEB 08	WLW

ENGINE OUTPUT ROTATION



GEARBOX INTERFACE DETAIL C



OUTPUT INTERFACE SECTION D-D

PROPRIETARY AND CONFIDENTIAL
THE INFORMATION CONTAINED IN THIS DRAWING IS THE SOLE PROPERTY OF AEROTWIN MOTORS CORPORATION. ANY REPRODUCTION IN PART OR AS A WHOLE WITHOUT THE EXPRESS PERMISSION OF AEROTWIN MOTORS CORPORATION IS PROHIBITED.



NEXT ASSY. USED ON APPLICATION

UNLESS OTHERWISE SPECIFIED:

INTERPRET GEOMETRIC TOLERANCING TO ANSI Y 14.5 1994

DIMENSIONS ARE IN mm
GENERAL TOLERANCES:
1 DEC. PLACE = ±0.5
2 DEC. PLACES = ±0.25
3 DEC. PLACES = ±0.10
ANGULAR = ±0.3°

BREAK EDGES 0.3
CORNER RADII 0.3
MACHINE FINISH 125µm/3.2µm Ra

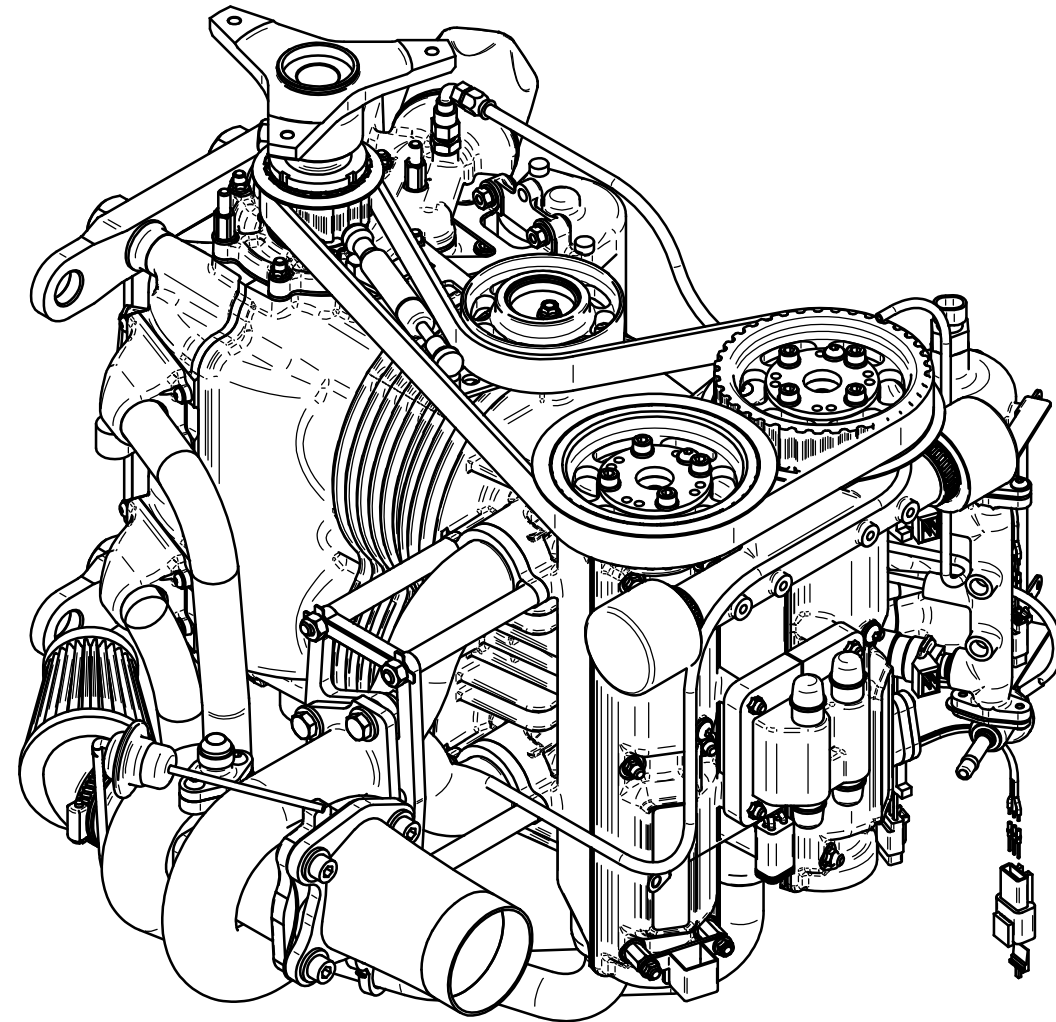
DO NOT SCALE DRAWING

	NAME	DATE
DRAWN	DCB	29/02/2008
CHECKED	WLW	29/02/2008
ENG. APPR.		
MFG. APPR.		
QA		

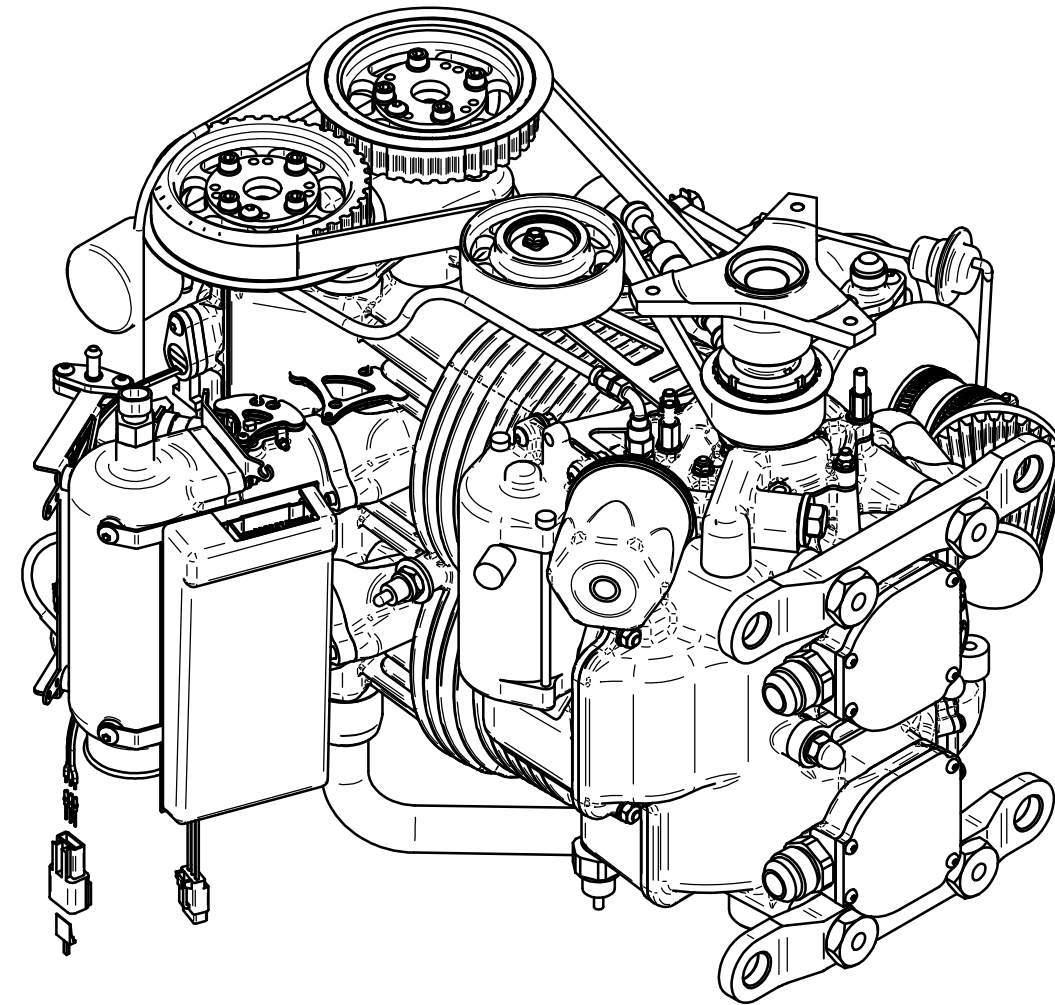
COMMENTS:

DRAWING NO. 800	
TITLE: 800, AeroTwin Heli Interface Dimensions	
SIZE A3	MATERIAL: REF: PART AND ASSEMBLY DRAWINGS
SCALE:	REVISION 05
WEIGHT:	SHEET 3 OF 5


REVISION HISTORY			
REV.	DESCRIPTION	DATE	APPROVED
05	REFER TO REVISION CONTROL SHEET	29 FEB 08	WLW



1:4




PICTORIAL VIEWS

<p>PROPRIETARY AND CONFIDENTIAL THE INFORMATION CONTAINED IN THIS DRAWING IS THE SOLE PROPERTY OF AEROTWIN MOTORS CORPORATION. ANY REPRODUCTION IN PART OR AS A WHOLE WITHOUT THE EXPRESS PERMISSION OF AEROTWIN MOTORS CORPORATION IS PROHIBITED.</p>			<p>UNLESS OTHERWISE SPECIFIED: INTERPRET GEOMETRIC TOLERANCING TO ANSI Y 14.5 1994</p> <p>DIMENSIONS ARE IN mm GENERAL TOLERANCES: 1 DEC. PLACE = ±0.5 2 DEC. PLACES = ±0.25 3 DEC. PLACES = ±0.10 ANGULAR = ±0.3°</p> <p>BREAK EDGES 0.3 CORNER RADII 0.3 MACHINE FINISH 125µm/3.2µm Ra</p> <p>DO NOT SCALE DRAWING</p>	NAME	DATE	DRAWING NO. 800			
				DRAWN	DCB		29/02/2008	TITLE:	
				CHECKED	WLW	29/02/2008	800, AeroTwin Heli Interface Dimensions		
				ENG. APPR.					
					MFG. APPR.				
				QA					
				COMMENTS:					
							SIZE	MATERIAL: REF: PART AND ASSEMBLY DRAWINGS	REV.
							A3	CONDITION:	05
							SCALE:	WEIGHT:	SHEET 4 OF 5

REVISION HISTORY			
REV.	DESCRIPTION	DATE	APPROVED
05	REFER TO REVISION CONTROL SHEET	29 FEB 08	WLW

Drawing Revision Control:				
Rev.	Date:	Mod. by:	Ckd:	Description:
01	08 Mar 05	DLM	WLW	Logo and title block updated. Drg No. 800 added. Engine mounting system changed.
02	08 Mar 05	DLM	WLW	Added interface deatails for the gearbox and torque coupling/flywheel
03	21Feb06	PJM	WLW	Redrawn based on Generic engine details
04	13 Oct 06	PJM	WLW	Redrawn based on Generic engine updates
05	29 FEB 08	PJM	WLW	ASSEMBLY R-ECOMPILED AND REDRAWN SHOWING REVISED ENGINE MOUNT ASSEMBLY, STANDARD TURBO EXHAUST AND E.C.U. ASSEMBLIES.

<p>PROPRIETARY AND CONFIDENTIAL THE INFORMATION CONTAINED IN THIS DRAWING IS THE SOLE PROPERTY OF AEROTWIN MOTORS CORPORATION. ANY REPRODUCTION IN PART OR AS A WHOLE WITHOUT THE EXPRESS PERMISSION OF AEROTWIN MOTORS CORPORATION IS PROHIBITED.</p> 	NEXT ASSY. USED ON APPLICATION	UNLESS OTHERWISE SPECIFIED: INTERPRET GEOMETRIC TOLERANCING TO ANSI Y 14.5 1994 DIMENSIONS ARE IN mm GENERAL TOLERANCES: 1 DEC. PLACE = ±0.5 2 DEC. PLACES = ±0.25 3 DEC. PLACES = ±0.10 ANGULAR = ±0.3° BREAK EDGES 0.3 CORNER RADII 0.3 MACHINE FINISH 125µm/3.2µm Ra DO NOT SCALE DRAWING	DRAWN DCB 29/02/2008	NAME DCB DATE 29/02/2008	DRAWING NO. 800 TITLE: 800, AeroTwin Heli Interface Dimensions	MATERIAL: REF: PART AND ASSEMBLY DRAWINGS CONDITION: SCALE: WEIGHT: SHEET 5 OF 5	REV. 05		
			CHECKED WLW 29/02/2008	ENG. APPR.				MFG. APPR.	QA
			COMMENTS:					SIZE A3	REV. 05
			APPLICATION					SCALE: WEIGHT: SHEET 5 OF 5	REV. 05